

Technical Data Sheet

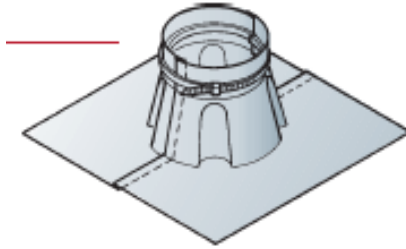
Radon Accessories

Self Adhesive membrane



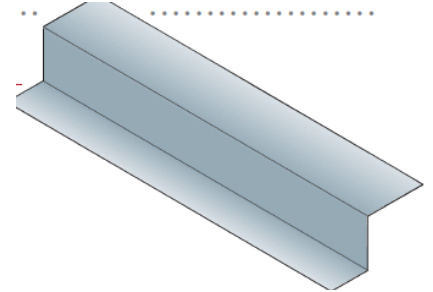
MATERIAL: A triple ply adhesive backed gas resistant membrane. Ideal easy and instant lamination to concrete, steel and masonry.
Roll size: 20mx150,300,450 or 600mm
Colour: Aluminium Foil
Weight: 309g/m²

Universal Pipe Seal



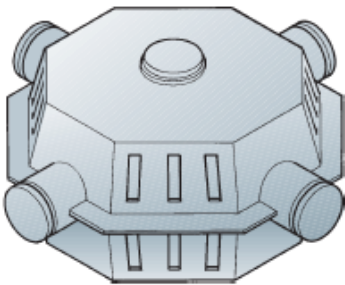
PRODUCT: Seals around service pipes which penetrate the gas membrane. Supplied in two sections with jubilee clip.
RPS1/110: 100-120mm
RPS1/130: 130-140mm
RPS1/160: 150-160mm

Radon Cavity Barrier



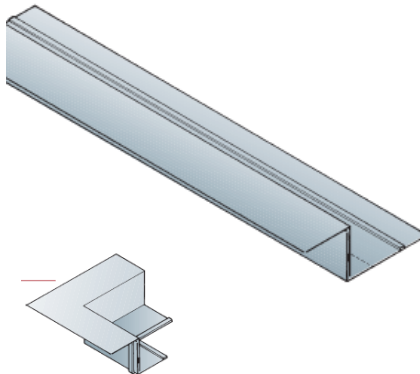
MATERIAL: Universal barrier suitable from 50-100mm wide cavities and 150mm deep suspended floors. Other sizes available to order. Special sparked finish for mortar adhesion.
Lengths: 25m or 50m rolls

Radon Sump



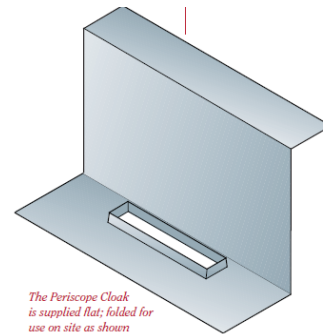
PRODUCT: Installed within the fill material in underfloor voids to collect radon gases and vent through 110mm four spigot pipe. Vented by convection through a vertical pipe.
Size: Approximately 420x420x250mm
Material: Impact resistant Polyethylene

Radon Slab Edge Barrier



MATERIAL: Designed to accommodate slab thicknesses of 100 or 150mm. Universal preformed corner also available.
SIZE: 25m or 50m rolls

Self Adhesive Periscope



PRODUCT: Maintains continuity by providing a preformed cloak to seal around vertical sections of a periscope vent.
MATERIAL: 1.5mm four-ply construction comprising a woven polypropylene layer, an LDPE layer with aluminium foil, a second LDPE layer and a polypropylene film.

