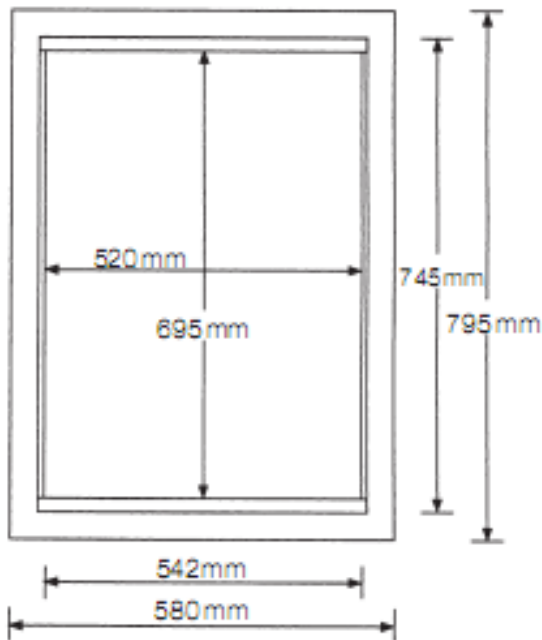


Fire-Rated Loft Trap



USE

- For use in new or refurbishment projects.
- For use in ceilings
- 60 min fire rated

FEATURES & BENEFITS

- Purpose made product with proven performance
- Superior to site fabricated panels
- Provides up to 60min fire protection and Class 0 surface spread of flame classification
- Excellent aesthetic appearance and factory fitted
- Hinged design allows use of a separate telescopic loft ladder
- Incorporates secure twist operated catch assembly
- Also available with secure key operated lock assembly
- Maintenance free, no need to paint
- Available in picture or beaded frame
- Door lined with fire resistant sub-panel to enhance fire resistance and stability
- Contains rockwool insulation with a thermal conductivity of 0.037W/mk

Material

Colour	Polyester powder coated White
Material	Frame & Door —1mm and 1.2mm Zintec electro galvanised mild steel Insulation—Rookwool insulation

Product

Description	Frame Fitting Size Required	Clear Opening Size Installed	Product Code
Fire rated loft trap 1160	542mmx745mm	520mmx695mm	ICON 1160 or 1160B (Bead)
Fire rated loft trap 1161	542mmx630mm	520mmx580mm	ICON 1161 or 1161B (Bead)

